

SUNEX®

SX5208
0.5HP 90 DEGREE ANGLE DIE GRINDER



SPECIFICATIONS

Free Speed	18,000 RPM	Air Inlet	1/4" NPT
Collet Size.....	1/4"	Recommended Hose Size.....	3/8" I.D.
Length.....	7"	Avg. Air Consumption	3.5 CFM
Width	3"		
Weight.....	1.54 lbs		
Maximum Air Pressure	90 psi		

! WARNING



READ THIS MANUAL BEFORE OPERATING TOOL



ALWAYS WEAR EYE PROTECTION (USERS AND BYSTANDERS) WHEN OPERATING OR PERFORMING MAINTENANCE ON THIS TOOL



ALWAYS WEAR HEARING PROTECTION WHEN OPERATING THIS TOOL



ALWAYS WEAR BREATHING APPARATUS WHEN OPERATING THIS TOOL



AVOID PROLONGED EXPOSURE TO VIBRATION



RATED RPM OF ACCESSORY USED MUST EXCEED THE MAXIMUM TOOL RPM SHOWN

! WARNING

Some dust created by power sanding, sawing, grinding, drilling, and other construction activities contains chemicals known to cause cancer, birth defects or other reproductive harm. Some examples of these chemicals are:

- lead from lead-based paints,
- crystalline silica from bricks and cement and other masonry products, and
- arsenic and chromium from chemically-treated lumber.

Your risk from these exposures varies, depending on how often you do this type of work. To reduce your exposure to these chemicals: work in a well ventilated area, and work with approved safety equipment, such as those dust masks that are specially designed to filter out microscopic particles.

WARNING

It is the responsibility of the owner to make sure all personnel read this manual prior to using the device. It is also the responsibility of the device owner to keep this manual intact and in a convenient location for all to see and read. If the manual or product labels are lost or not legible, contact SUNEX for replacements. If the operator is not fluent in English, the product and safety instructions shall be read and discussed with the operator in the operator's native language by the purchaser/owner or the designer, making sure that the operator comprehends its contents.

FAILURE TO OBSERVE THESE WARNINGS COULD RESULT IN INJURY

THIS INSTRUCTION MANUAL CONTAINS IMPORTANT SAFETY INFORMATION.



READ THIS INSTRUCTION MANUAL CAREFULLY AND UNDERSTAND ALL INFORMATION BEFORE OPERATING THIS TOOL.

- Read and understand all instructions. Failure to follow all instructions listed below, may result in electric shock, fire, explosion and/or serious personal injury. It is the responsibility of the owner to make sure all personnel read this manual prior to using the device. It is also the responsibility of the device owner to keep this manual intact and in a convenient location for all to see and read. If the manual or product labels are lost or not legible, contact SUNEX Tools for replacements. If the operator is not fluent in English, the product and safety instructions shall be read and discussed with the operator in the operator's native language by the purchaser/owner or his designee, making sure that the operator comprehends its contents.

- Always operate, inspect and maintain this tool in accordance with American National Standards Institute Safety Code of Portable Air Tools (ANSI B186.1) and any other applicable safety codes and regulations.

- For safety, top performance and maximum durability of parts, operate this tool at 90 psig; 6.2 bar max air pressure with 3/8" diameter air supply hose.

- Always wear safety goggles and breathing apparatus (users and bystanders).

- High sound levels can cause permanent hearing loss. Always use hearing protection as recommended by your employer an OSHA regulations while using this tool (users and bystanders).

- Keep the tool in efficient operating condition.

- Operators and maintenance personnel must be physically able to handle the bulk, weight and power of this tool.

- Air under pressure can cause severe injury. Never direct air at yourself or others. Always turn off the air supply, drain hose of air pressure and detach tool from air supply before installing, removing or adjusting any accessory on this tool, or before performing any maintenance on this tool. Failure to do so could result in injury. Whip hoses can cause serious injury. Always check for damaged, frayed or loose hoses and fittings, and replace immediately. Do not use quick detach couplings at tool. See instructions for correct set-up.

- Keep tool out of reach of children.

- Air powered tools can vibrate in use. Vibration, repetitive motions or uncomfortable positions over extended periods of time may be harmful to your hands and arms. Discontinue use of tool if discomfort, tingling feeling or pain occurs. Seek medical advice before resuming use.

- Slipping, tripping and/or falling while operating air tools can be a major cause of serious injury or death. Be aware of excess hose left on the walking or work surface.

- Keep body working stance balanced and firm. Do not overreach when operating the tool.

- Do not point or indulge in any horseplay with this tool.

- Anticipate and be alert for sudden changes in motion during start up and operation of any power tool.

- Do not carry tool by the hose. Protect the hose from sharp objects and heat.

- Tool shaft may continue to rotate briefly after throttle is released. Avoid direct contact with accessories during and after



use. Gloves will reduce the risk of cuts or burns.

- Keep away from rotating end of tool. Do not wear jewelry or loose clothing. Secure long hair. Scalping can occur if hair is not kept away from tool and accessories. Choking can occur if neckwear is not kept away from tool and accessories.



- Do not use (or modify) the tool for any other purpose than that for which it was designed without consulting the manufacturer's authorized representative.

- **Never mount a grinding wheel, cut-off wheel, router cutter or drill bit on a Die Grinder.**

- **Never use an arbor, mandrel or any other adaptor to convert the Die Grinder for any other application than for mounting a twist lock pad.**

- Do not lock, tape or wire the "on/off" safety lever in the "on" position, as the lever must be free to return to the "off" position when released.

- Bonded abrasive mounted point grinding wheels, rotary files and carbide burrs can be mounted providing their speed rating exceeds the speed of the Die Grinder. The shank size of the mounted accessory must match the collet size fitted in the Die Grinder. Insert the shank of the mounted point as far as possible into the collet and tighten the nut using the supplied wrenches. Minimum shank gripping length must be 10mm.

- Correct bonded abrasive mounted point grinding wheels, rotary files and carbide burrs are necessary to prevent injury from broken accessories. Do not use chipped or cracked bonded abrasive mounted point grinding wheels, rotary files and carbide burrs. Tighten the bonded abrasive mounted point grinding wheels, rotary files and carbide burrs. Tighten the bonded abrasive mounted point grinding wheels, rotary files and carbide burrs on the collet to prevent spin off when the Die Grinder is turned off.

- After mounting a new point, start the Die Grinder under bench and run for a few seconds. If the Die Grinder starts to vibrate when first fitting a mounted point or during operation, immediately remove from service. If Die Grinder is dropped, replace bonded abrasive mounted point grinding wheel, rotary file or carbide burr.



- **RPM OF THE ACCESSORY MUST EXCEED TOOL RPM. Use accessories rated at 20,000 RPM or higher.**

- Use accessories recommended by SUNEX Tools.

- Do not lubricate tools with flammable or volatile liquids such as kerosene, diesel or jet fuel.

- This tool is not insulated against electric shock.

- This tool must not be used in explosive atmospheres.

- Servicing and repairs should only be made by an authorized service center.

- Do not force tool beyond its rated capacity.

- Do not remove any labels. Replace damaged labels.

- Failure to heed these warnings may result in personal injury and/or property damage.

WARNING: This product can expose you to chemicals including nickel which is known to the State of California to cause cancer and birth defects or other reproductive harm. For more information go to www.P65Warnings.ca.gov.



OPERATION

Always turn off the air supply, drain hose of air pressure and detach tool from air supply before installing, removing or adjusting any part or accessory on this tool, or before performing any maintenance on this tool.

Bonded abrasive mounted point grinding wheels, rotary files and carbide burrs can be mounted providing their speed rating exceeds the speed of the Die Grinder. The shank size of the mounted accessory must match the collet size fitted in the Die Grinder. Insert the shank of the mounted point as far as possible into the collet and tighten the nut using the supplied wrenches. Minimum shank gripping length must be 10mm.

Correct bonded abrasive mounted point grinding wheels, rotary files and carbide burrs are necessary to prevent injury from broken accessories. Do not use chipped or cracked bonded abrasive mounted point grinding wheels, rotary files and carbide

burrs. Tighten the bonded abrasive mounted point grinding wheels, rotary files and carbide burrs on the collet to prevent spin off when the Die Grinder is turned off.

After mounting a new point, start the Die Grinder under bench and run for a few seconds. If the Die Grinder starts to vibrate when first fitting a mounted point or during operation, immediately remove from service.

When using the Die Grinder, be careful not to exert excessive force which could be hazardous and cause mounted spindle to bend or break.

Never mount a grinding wheel, cutoffwheel, router cutter or drill bit on a Die Grinder.

Never use an arbor, mandrel or any other adaptor to convert the Die Grinder for any other application.

NOTE: During operation, safety goggles should always be worn to guard against flying debris (users and bystanders).

AIR SUPPLY

Tools operate on a wide range of air pressures. It is recommended that air pressure measures 90 psig at the tool with the trigger fully depressed and no load applied to the tool. Higher pressure (over 90 psig; 6.2 bar) raises performance beyond the rated capacity of the tool, which will shorten tool life and could cause injury.

Always use clean, dry air. Dust, corrosive fumes and/or water in the air line will cause damage to the tool. Drain the water from air lines and compressor prior to running tool. Clean the air inlet filter screen weekly. The recommended hookup procedure can be viewed in FIG. 1.

The air inlet used for connecting air supply has standard 1/4" NPT. Line pressure should be increased to compensate for unusually long air hoses (over 25 feet). Minimum hose diameter should be 3/8" I.D. and fittings should have the same inside dimensions and be tightly secured.

Ensure an accessible emergency shut off valve has been installed in the air supply line and make others aware of its location.

TROUBLESHOOTING

Other factors outside the tool may cause loss of power or erratic action. Reduced compressor output, excessive drain on the air line, moisture or restrictions in air pipes or the use of hose connections of improper size or poor conditions may reduce air supply. Grit or gum deposits in the tool may cut power and may be corrected by cleaning the air strainer and flushing out the tool with gum solvent oil or an equal mixture of SAE #10 and kerosene. If outside conditions are in order, disconnect tool from hose and take tool to your nearest authorized service center.

LUBRICATION AND MAINTENANCE

Lubricate the air motor daily with high quality air tool oil. If no air line oiler is used, run 1/2 oz. of oil through the tool. The oil can be squirted into the tool air inlet or into the hose at the nearest connection to the air supply, then run the tool. A rust inhibitive oil is acceptable for air tools.

WARNING: After an air tool has been lubricated, oil will discharge through the exhaust port during the first few seconds of operation. The exhaust port must be covered with a towel before applying air pressure to prevent serious injury.

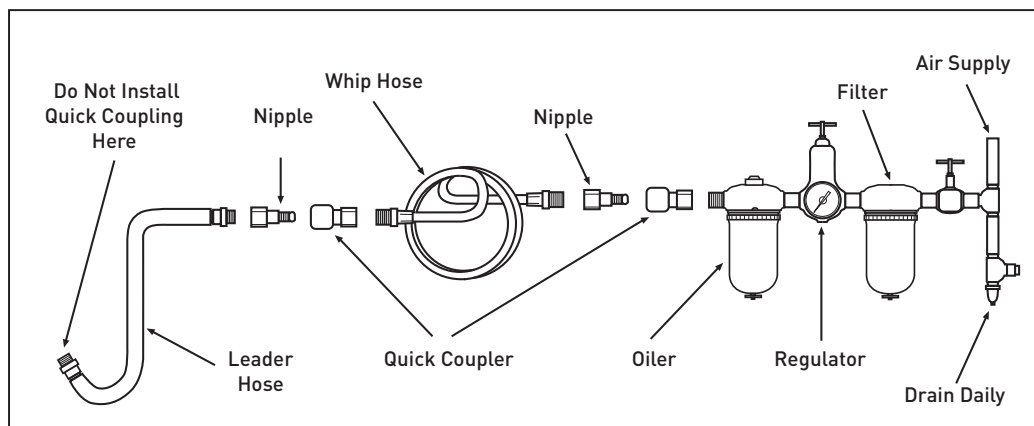


FIG. 1

Limited Warranty...

SUNEX INTERNATIONAL, INC. WARRANTS TO ITS CUSTOMERS THAT THE COMPANY'S SUNEX TOOLS® BRANDED PRODUCTS ARE FREE FROM DEFECTS IN WORKMANSHIP AND MATERIALS.

SUNEX International, Inc. will repair or replace its SUNEX Tools® branded products which fail to give satisfactory service due to defective workmanship or materials, based upon the terms and conditions of the following described warranty plans attributed to that specific product. This product carries a ONE-YEAR warranty. During this warranty period, SUNEX Tools® will repair or replace at our option any part or unit which proves to be defective in material or workmanship.

Other important warranty information...

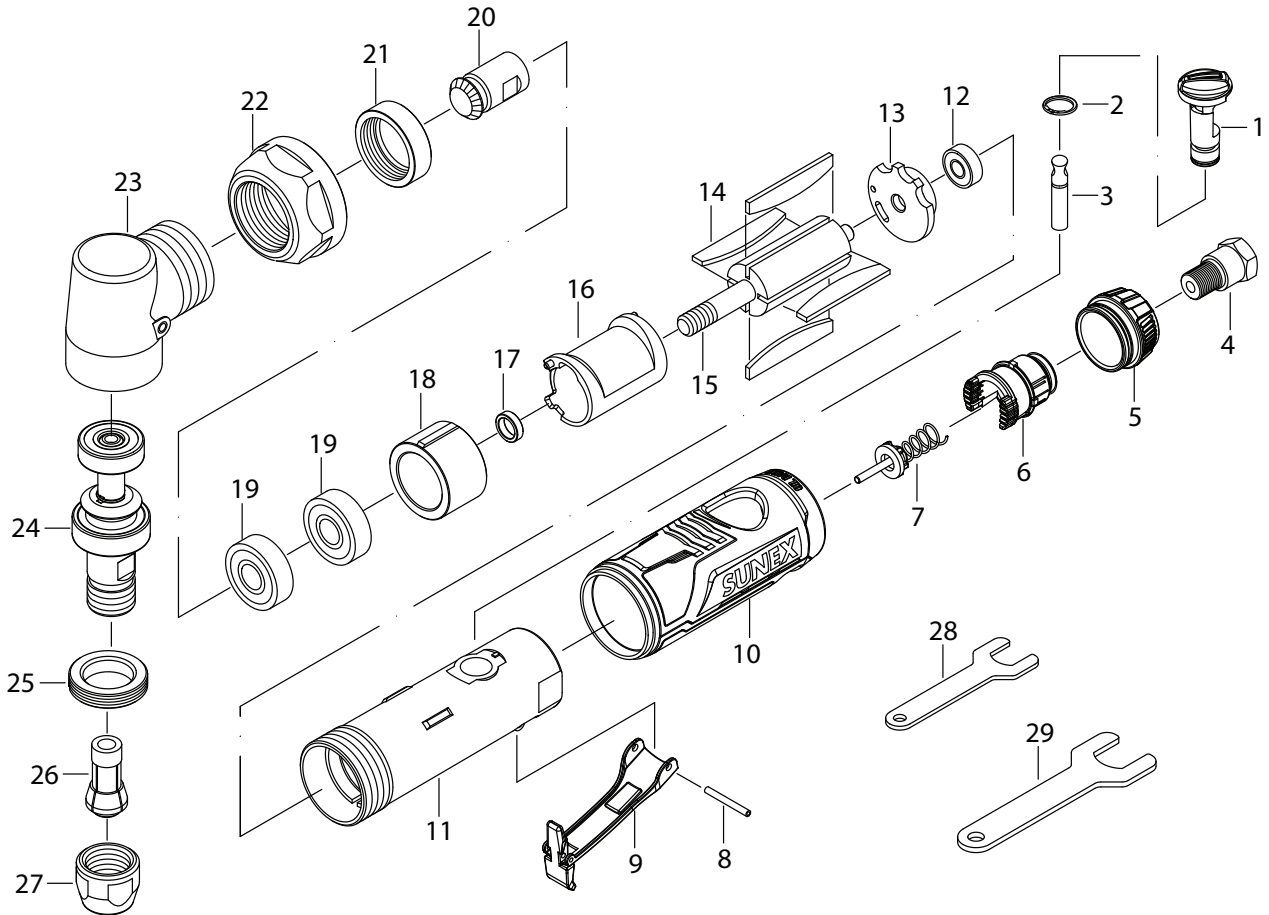
This warranty does not cover damage to equipment or tools arising from alteration, abuse, misuse, damage and does not cover any repairs or replacement made by anyone other than SUNEX Tools® or its authorized warranty service centers. The foregoing obligation is SUNEX Tools® sole liability under this or any implied warranty and under no circumstances shall we be liable for any incidental or consequential damages.

Note: Some states do not allow the exclusion or limitation of incidental or consequential damages, so the above limitation or exclusion may not apply to you. Return equipment or parts to SUNEX Tools®, or an authorized warranty service center, transportation prepaid. Be certain to include your name and address, evidence of the purchase date, and description of the suspected defect.

If you have any questions about warranty service, please write to SUNEX Tools®. This warranty gives you specific legal rights and you may also have other rights which vary from state to state. Repair kits and replacement parts are available for many of SUNEX Tools® products regardless of whether or not the product is still covered by a warranty plan.

SHIPPING ADDRESS: SUNEX Tools • 315 Hawkins Rd. • Travelers Rest, SC 29690

MAILING ADDRESS: SUNEX Tools • P.O. Box 1233 • Travelers Rest, SC 29690



REF. NO.	PART NO.	DESCRIPTION	QTY
1	RS520001	REGULATOR SET	1
2	RS288304	SNAP RING	1
3	RS103002	VALVE STEM SET	1
4	RS54004	AIR INLET	1
5	RS520005	EXHAUST SLEEVE SET	1
6	RS103004	CONE MUFFLER	1
7	RS103005	VALVE SET	1
8	RS621011	SPRING PIN	1
9	RS520009	SAFETY THROTTLE	1
10	RS520410	PROTECTING RUBBER	1
11	RS710109	HOUSING	1
12	RS30516	BEARING (696ZZ)	1
13	RS710113	REAR PLATE	1
14	RS2883020	ROTOR BLADE (EACH)	4
15	RS61016	ROTOR	1

REF. NO.	PART NO.	DESCRIPTION	QTY
16	RS61017	CYLINDER SET	1
17	RSC0317	BEARING SPACER	1
18	RS61019	FRONT PLATE	1
19	RS520019	BEARING (608ZZ) (EACH)	2
20	RS288327	BEVEL GEAR (18T)	1
21	RS54021	NUT	2
22	RS520422	CLAMP NUT	1
23	RS520623	ANGLE HOUSING SET	1
24	RS75502	SHAFT SET	1
25	RS288338	CLAMP NUT	1
26	RS520129	COLLET	1
27	RS20636	COLLET NUT	1
28	RS31535	STOP SPANNER (14MM)	1
29	RS20639	STOP SPANNER (19MM)	1
N/S	RSSX5208PWL	PRODUCT WARNING LABEL	1

SUNEX®

SX5208
AMOLADORA DE TROQUEL ANGULAR DE 90
GRADOS DE 0.5HP



ESPECIFICACIONES

Velocidad libre.....	18,000 RPM	Tamaño de portapinzas	1/4" NPT
Tamaño de portapinzas	1/4"	Tamaño mín. de manguera.....	3/8" I.D.
Longitud Total	7"	Consumo promedio de aire	3.5 CFM
Anchura	3"		
Peso del producto.....	1.54 libras		
Presión de aire recomendada	90 psig		

⚠ ADVERTENCIA



LEA EST MANUAL ANTES DE OPERAR ESTA HERRAMIENTA



SIEMPRE LLEVE PUESTO PROTECCIÓN DE OJOS AL MOMENTO DE OPERAR O REALIZAR MANTENIMIENTO A ESTA HERRAMIENTA (USUARIOS Y ESPECTADORES)



SIEMPRE LLEVE PUESTO PROTECCIÓN DEL OÍDO AL MOMENTO DE OPERAR ESTA HERRAMIENTA



SIEMPRE LLEVE PUESTO UN APARATO DE RESPIRACIÓN DURANTE LA OPERACIÓN DE ESTA HERRAMIENTA



EVITAR EXPOSICIÓN PROLONGADA A LAS VIBRACIONES



LAS RPM DEL ACCESORIO DEBEN EXCEDER LAS RPM DE LA HERRAMIENTA

⚠ ADVERTENCIA

El polvo creado por la lijación eléctrica, la aserradura, la trituración, la perforación y otras actividades de construcción contiene químicos conocidos como causantes de cáncer, defectos de nacimiento u otros daños a reproducción. Algunos ejemplos de dichos químicos son:

- El plomo proveniente de pintura con base de plomo,
- La silica cristalina de ladrillo y cemento y otros productos de mampostería, y
- El arsénico y el cromo de maderos químicamente tratados.

El riesgo de dichas exposiciones varía, dependiendo de la frecuencia con la cual usted realice este tipo de trabajo. Para reducir su exposición a dichos químicos: trabaje en una área bien ventilada y con equipo de seguridad aprobado, tales como los máscaras anti-polvo, los que son específicamente diseñados para filtrar las partículas microscópicas.

⚠ ADVERTENCIA

Lea y comprenda todas las instrucciones. Hacer caso omiso a todas las instrucciones alistadas a continuación podría ocasionar choque eléctrico, incendio, una explosión y/o lesiones personales serias. Lea y comprenda todas las instrucciones. Hacer caso omiso al seguir todas las instrucciones alistadas a continuación podría ocasionar el choque eléctrico, incendio, explosiones y/o lesiones personales serias. Es la responsabilidad del propietario asegurarse que todo el personal lea este manual previo al uso de este dispositivo. También es la responsabilidad del propietario del dispositivo mantener intacto este manual y en un lugar conveniente para que todos lo lean y vean. Si el manual o las etiquetas se hayan perdido o no sean legibles, comuníquese con SUNEX por algunos repuestos. Si el operador no domina el idioma inglés, las instrucciones del producto y de seguridad le serán leídas y discutidas con el operador en el idioma materno del operador por parte del comprador/propietario o su designado, asegurándose que el operador comprenda el contenido.

ESTE MANUAL DE INSTRUCCIONES CONTIENE INFORMACIÓN IMPORTANTE DE SEGURIDAD.

LEA CUIDADOSAMENTE ESTE MANUAL INSTRUCTIVO Y COMPRENDA TODA INFORMACIÓN ANTES DE OPERAR ESTA HERRAMIENTA.



• Lea y comprenda todas las instrucciones. Hacer caso omiso a todas las instrucciones alistadas a continuación podría ocasionar choque eléctrico, incendio, una explosión y/o lesiones personales serias. Lea y comprenda todas las instrucciones. Hacer caso omiso al seguir todas las instrucciones alistadas a continuación podría ocasionar el choque eléctrico, incendio, explosiones y/o lesiones personales serias. Es la responsabilidad del propietario asegurarse que todo el personal lea este manual previo al uso de este dispositivo. También es la responsabilidad del propietario del dispositivo mantener intacto este manual y en un lugar conveniente para que todos lo lean y vean. Si el manual o las etiquetas se hayan perdido o no sean legibles, comuníquese con SUNEX Tools por algunos repuestos. Si el operador no domina el idioma inglés, las instrucciones del producto y de seguridad le serán leídas y discutidas con el operador en el idioma materno del operador por parte del comprador/propietario o su designado, asegurándose que el operador comprenda el contenido.

• Opere, inspeccione y mantenga siempre esta herramienta de acuerdo con el Código de Seguridad del Instituto Americano de Estándares Nacionales para las Herramientas Portátiles Neumáticas (ANSI B186.1) y cualquier otro código o regulación aplicables.

• Por seguridad, desempeño superior y durabilidad máxima de las refacciones, opere esta herramienta a la máxima presión de aire al 90 psig; 6.2 barg. con una manguera de alimentación de aire de 3/8" en diámetro.

• Siempre lleve puesto gogles de seguridad y dispositivos de respiración (usuarios y espectadores).

• Niveles de sonidos altos pueden provocar una pérdida permanente del oído. Utilice una protección para las orejas según las recomendaciones de su patrón las regulaciones OSHA (usuarios y espectadores).

• Mantenga esta herramienta en condición eficiente de operación.

• Los operadores y personal de mantenimiento deben poder físicamente manejar el volumen, peso y potencia de esta herramienta.

• El aire bajo presión puede ocasionar alguna herida severa. Nunca dirija el aire hacia usted ni a otros. Apague siempre la alimentación de aire, vacíe la manguera de toda presión de aire y separe la herramienta de la alimentación de aire antes de instalar, quitar o ajustar cualquier accesorio de esta herramienta, o antes de realizar cualquier mantenimiento de esta herramienta. La falla en hacerlo podría resultar en alguna lesión. Las mangueras de látigo pueden ocasionar alguna herida seria. Revise siempre las mangueras y herrajes por daños, deshilachas o solturas, y repóngalos inmediatamente. No use en la herramienta los acoplamientos de rápida separación. Vea las instrucciones por la instalación correcta.

• Mantenga lejos del alcance de los niños.

• Las herramientas neumáticas pueden vibrar con su uso. Las vibraciones, movimientos repetitivos o posiciones incómodas durante períodos extendidos de tiempo pueden ser dañinos para sus manos y brazos. Suspenda el uso de la herramienta si experimente molestias, estremecimiento o dolor. Antes de continuar usándola, solicite el consejo médico.

• Resbalarse, tropezarse y/o caerse durante la operación de herramientas neumáticas puede ser una causa mayor de lesión seria o la muerte. Sea consciente de la manguera excedente, dejada por la superficie para caminar o trabajar.

• Mantenga balanceada y firme la postura corporal de trabajo. No se extra limite al operar esta herramienta.

• No apunte con ni se enrede en juegos bruscos con esta herramienta.

• Anticipe y sea alerta por cambios repentinos de movimiento durante el arranque inicial y operación de cualquier herramienta neumática.



• No lleve la herramienta por la manguera. Proteja la manguera de objetos afilados y del calor.

• Manténgase lejos del extremo rotador de la herramienta. No lleve puesto ni joyería ni ropa suelta. Fije el pelo largo. Se puede arrancar el cabello si no se lo mantenga a distancia de la herramienta y accesorios. Mantenga a distancia de la herramienta y de los accesorios los accesorios del cuello para evitar el ahogamiento.

• NO use (ni altere) la herramienta para ningún otro uso excepto el para el cual fue diseñado, sin consultar primero a algún representante autorizado del fabricante.

• Nunca monte una rueda de esmeril, una rueda de corte, cortadora de fresadora o broca de taladro sobre una amoladora de troqueles.

• Nunca use ningún husillo, mandril ni ningún otro adaptador para convertir la amoladora de troqueles a cualquier otra aplica

• No bloquee, ni use cinta ni alambre para bloquear la palanca de seguridad de "encendido/apagado" en la posición de encendido ["on"], ya que la palanca deberá estar libre para volverse a la posición de "apagado" ("off") cuando ésta sea liberada.

• Los discos abrasivos pegados de puntomontado, limas giratorias y fresas decarbuo pueden montarse siempre y cuando su velocidad clasificada exceda la velocidad de la amoladora. El tamaño del vástago del accesorio montado debe igualar el tamaño del collarín ajustado en la amoladora. Inserte el vástago del punto montado lo más adentro que se pueda en el collarín y apriete la tuercasando las llaves provistas. La mínima longitud del vástago deberá ser de 10mm.

• Se requiere el montaje correcto de ruedas de esmeril, limas giratorias y fresas de carburo de punto montado y abrasivos adheridos con el fin de prevenir lesiones provenientes de accesorios rotos. No use las ruedas de esmeril, limas giratorias y fresas decarbuo de punto montado y abrasivos adheridos agrietados ni astillados. Apriete las ruedas de esmeril, limas giratorias y fresas de carburo de puntomontado y abrasivos adheridos en el collar con el fin de prevenir la salida giratoria de ellos al momento de apagar la amoladora de troqueles.

• Después de montar un nuevo punto, encienda el disco abrasivo debajo del banco y deje que funcione por algunos segundos. Si el disco abrasivo comienza a vibrar al momento de inicialmente ajustar un punto de montaje o durante la operación, inmediatamente déjelo de usar. Si se cae la amoladora, reponga el disco abrasivo, la lima giratoria o la fresa de carburo.

• LAS RPM DEL COMPLEMENTO DEBERÁN EXCEDER LAS RPM DE LA HERRAMIENTA. Use accesorios clasificados a unas 20,000 RPM o mayores.

• Use los accesorios recomendados por SUNEX Tools.

• No lubrique las herramientas con soluciones inflamables ni volátiles, tales como el queroseno, el gasóleo ni el combustible para aviones.

• Esta herramienta no está aislada contra el choque eléctrico.

• Esta herramienta no debe emplearse en ambientes explosivos.

• Las reparaciones y mantenimiento deben realizarse sólo por parte de un centro de servicio autorizado.

• No fuerce las herramientas más allá de su capacidad nominal.

• No quite ninguna etiqueta. Reponga las etiquetas dañadas.

• No cumplir con estas indicaciones puede provocar lesiones graves o peligro de muerte, así como daños materiales.

ADVERTENCIA: Este producto le podrá exponer a ciertos químicos, para incluir el níquel, conocidos en el Estado de California por ocasionar cáncer y defectos congénitos u otros daños a la reproducción. Para mayores informes, visite: www.P65Warnings.ca.gov.



OPERACIÓN

Siempre apague el suministro de aire, vacíe la manguera de la presión de aire y desconecte la herramienta del suministro de aire antes de instalar, extraer o ajustar cualquier parte o accesorio en esta herramienta, o antes de realizar cualquier servicio a la herramienta.

Los discos abrasivos pegados de punto montado, limas giratorias y fresas de carburo pueden montarse siempre y cuando su velocidad clasificada exceda la velocidad de la amoladora. El tamaño del vástago del accesorio montado debe igualar el tamaño del collarín ajustado en la amoladora. Inserte el vástago del punto montado lo más adentro que se pueda en el collarín y apriete la tuerca causando las llaves provistas. La mínima longitud del vástago deberá ser de 10mm.

Se requiere el montaje correcto de ruedas de esmeril, limas giratorias y fresas de carburo de punto montado y abrasivos adheridos con el fin de prevenir lesiones provenientes de accesorios rotos. No use las

ruedas de esmeril, limas giratorias y fresas de carburo de punto montado y abrasivos adheridos agrietados ni astillados. Apriete las ruedas de esmeril, limas giratorias y fresas de carburo de punto montado y abrasivos adheridos en el collar con el fin de prevenir la salida giratoria de ellos al momento de apagar la amoladora de troqueles.

Después de montar un nuevo punto, encienda el disco abrasivo debajo del banco y deje que funcione por algunos segundos. Si el disco abrasivo comienza a vibrar al momento de inicialmente ajustar un punto de montaje o durante la operación, inmediatamente déjelo de usar. Si se cae la amoladora, reponga el disco abrasivo, la lima giratoria o la fresa de carburo.

Faites attention, lorsque vous utilisez le Grinder, de ne pas utiliser de force excessive ce qui pourrait être dangereux et causer le bris ou une courbure de latige.

NOTA: Durante la operación, se deben llevar goggles de seguridad contra la corrosión y astillas volantes (usuarios y espectadores).

ALIMENTACIÓN DE AIRE

Las herramientas operan en un rango amplio de presiones de aire. Las herramientas de esta categoría operan dentro de un rango amplio de presión de aire. Al trabajar libremente, se recomienda que la presión de aire de estas herramientas mida a un 90 psig en la herramienta. La presión alta y el aire sucio disminuirán la vida de la herramienta debido al desgaste más rápido, y pueden crear condiciones peligrosas.

Siempre use aire limpio y seco. El polvo, los vapores corrosivos y/o el agua en la tubería de aire dañarán la herramienta. Vacíe el agua de las líneas de aire y del compresor antes de dejar funcionar la herramienta. Limpie el filtro de la entrada de aire semanalmente. El procedimiento de conexión recomendado se puede consultar en la FIG. 1.

La admisión de aire que se ocupa para la conexión del suministro de aire cuenta con una estándar de 1/4" NPT. Se debe aumentar la presión en la línea para compensar por las mangueras de aire inusualmente largas (mayores de 25 pies). El diámetro mínimo de la manguera debe de ser de 3/8" de diámetro interior y los herrajes deben contar con las mismas dimensiones y deben estar fijamente sujetos.

Asegúrese que se haya instalado una válvula accesible de apagado por emergencia en la línea de suministro de aire e informe a otros de su ubicación.

DIAGNÓSTICO DE AVERÍAS

Puede haber otros factores ajenos a la herramienta que sean causa de pérdida de corriente o acción errática. La potencia reducida de salida del compresor, el drenaje excesivo en la tubería de aire, humedad o restricciones en las cañerías de aire o el uso de conexiones de manguera de tamaño inadecuado o en malas condiciones puede reducir el suministro de aire. Depósitos de arenilla o goma en la herramienta pueden cortar la potencia y pueden corregirse limpiando el aspirador de aire y limpiando a chorro la herramienta con aceite que disuelva la goma o una mezcla de partes iguales de SAE #10 y querosén. Si no hay ningún problema con las condiciones externas, desconecte la herramienta de la manguera y llévela al centro autorizado de servicio más próximo.

LUBRICACIÓN Y MANTENIMIENTO

Lubrique el motor neumático diariamente con un aceite para herramientas neumáticas de alta calidad. Si no se usa ningún lubricador de línea de aire, deje correr una 1/2 oz. de aceite por la herramienta. El aceite puede echarse por chorrillo en la entrada de aire de la herramienta o en la manguera en la conexión más cercana al suministro de aire, luego opere la herramienta. Un aceite anti-corrosión es aceptable para las herramientas neumáticas. El sobre llenado ocasionará una reducción en la potencia de la herramienta.

ADVERTENCIA: Después de que se haya lubricado una herramienta neumática, el aceite se descargará por el puerto de escape durante los primeros segundos de la operación. El puerto de escape deberá cubrirse con una toalla antes de aplicar una presión de aire con el fin de prevenir lesiones serias.

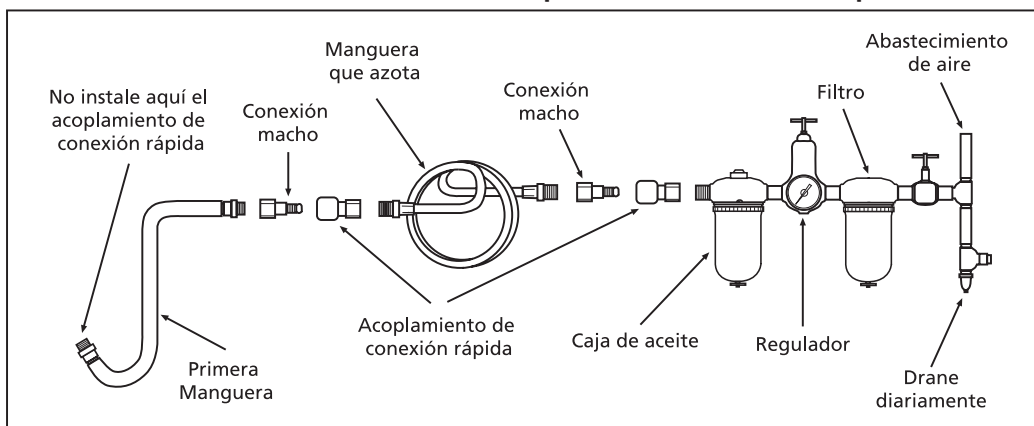


FIG. 1

GARANTÍA LIMITADA

SUNEX INTERNATIONAL, INC., LE GARANTIZA A SUS CLIENTES QUE LAS HERRAMIENTAS Y PRODUCTOS CON LA MARCA DE LA EMPRESA SUNEX TOOLS NO CONTIENEN DEFECTOS EN SU MANO DE OBRA NI MATERIAS PRIMAS.

SUNEX International, Inc., reparará o sustituirá sus productos con la marca SUNEX Tools® que reflejen fallas en el funcionamiento satisfactorio debido a que la mano de obra o las materias primas estén defectuosas, tomando como base las cláusulas y condiciones de los planes de garantía descritos a continuación y asignados a ese producto específico. Este producto tiene una garantía de UN AÑO. Durante ese periodo de garantía, SUNEX Tools® reparará o sustituirá, como así opte por hacerlo, cualquier componente o unidad que se compruebe tener defectos en su materia prima o mano de obra.

Otra importante información de la garantía...

Esta garantía no cubre ningún daño al equipo o herramientas, si este surge como resultado de su alteración, abuso, o mal uso o daños ni tampoco cubre las reparaciones o reposiciones hechas por cualquier persona ajena a los centros de servicio de garantía autorizados y que no sean de SUNEX Tools®. La obligación antes mencionada queda bajo la responsabilidad exclusiva de SUNEX Tools® según se menciona o de cualquier garantía implícita y bajo ninguna circunstancia quedará bajo su responsabilidad cualquier garantía implícita ya bajo ninguna circunstancia quedará bajo su responsabilidad cualquier daño incidental o consecuencial.

Nota: Algunos estados no permiten la exclusión o limitación de los daños incidentales o consecuenciales, por lo tanto la limitación o exclusión arriba mencionada quizá no pudiera serle pertinente a usted. Devuelva el equipo o componentes a SUNEX Tools®, un centro de servicio de garantía autorizado, con el flete pagado. Asegúrese haber incluido su nombre y dirección, la evidencia de la fecha de adquisición y la descripción del defecto que se sospeche tener. Si tiene alguna duda relacionada con el servicio de garantía, por favor escríbale a SUNEX Tools®. Esta garantía le concede derechos jurídicos específicos y quizá otros derechos que varían de un estado a otro, SUNEX Tools® tiene a su disposición los juegos de reparación y refacciones de repuesto para muchos de sus productos, sin importar si el producto continúe o no bajo el plan de la garantía.

DIRECCIÓN A EMBARCARSE: SUNEX Tools • 315 Hawkins Rd. • Travelers Rest, SC 29690

DIRECCIÓN DE CORREOS: SUNEX Tools • P.O. Box 1233 • Travelers Rest, SC 29690

SUNEX®

SX5208
MEULEUSE D'ANGLE À 90 DEGRÉS DE 0,5 HP



SPÉCIFICATIONS

Vitesse libre.....	18 000 Tr/min	Entrée d'air.....	1/4 po NPT
Capacité de coupe.....	1/4"	Dimension minimale du tuyau.....	3/8 po I.D.
Longueur.....	7 po	Consommation moyenne d'air.....	3,5 CFM
Largeur.....	3 po		
Poids du produit.....	1,54 livres		
Pression d'air maximale.....	90 psi		

⚠ AVERTISSEMENT



VEUILLEZ LIRE LE PRÉSENT MANUEL AVANT D'UTILISER L'OUTIL



TOUJOURS PORTER UN APPAREIL DE PROTECTION POUR LA VUE (UTILISATEURS ET SPECTATEURS)



TOUJOURS PORTER LE DISPOSITIF DE PROTECTION ANTIBRUIT LORSQUE VOUS UTILISEZ CET ÉQUIPEMENT



TOUJOURS PORTER UN APPAREIL RESPIRATOIRE LORS DE L'UTILISATION DE CET OUTIL



ÉVITEZ L'EXPOSITION PROLONGÉE AUX VIBRATIONS



LE R/MIN DE L'ACCESSOIRE DOIT EXCÉDER CELUI DE L'OUTIL

⚠ AVERTISSEMENT

Certaines poussières produites par le sablage, le sciage, le meulage, le perçage et autres activités de construction contiennent des produits chimiques qui peuvent causer le cancer, des anomalies congénitales ou autres problèmes de reproduction. Voici quelques exemples de produits chimiques :

- Plomb provenant des peintures,
- Silicium cristallin provenant des briques, du ciment et d'autres produits de maçonnerie et
- Arsenic et chrome provenant du bois traité chimiquement.

Le risque que présentent ces expositions varient selon le nombre de fois que vous faites ce type de travail. Pour réduire l'exposition à ces expositions : travaillez dans un endroit bien ventilé et travaillez avec l'équipement de sécurité approuvé comme les masques à poussière qui sont conçus pour filtrer les particules microscopiques.

⚠ AVERTISSEMENT

Lisez et comprenez bien toutes les instructions. Le manque d'observer toutes les instructions énumérées ci-dessous, peut entraîner une décharge électrique, un feu et/ou causer de sérieuses blessures corporelles. Veuillez lire et bien comprendre toutes les instructions. Tout manquement aux instructions indiquées ci-après pourrait entraîner un choc électrique, un incendie, une explosion et/ou des blessures personnelles graves. Il est de la responsabilité du propriétaire de s'assurer que tout le personnel lise ce manuel avant d'utiliser l'appareil. Il revient aussi au propriétaire de l'appareil de conserver ce manuel en bon état et dans un endroit accessible permettant au manuel d'être vu et lu par tous. Si le manuel ou les étiquettes du produit sont perdus ou illisibles, contactez SUNEX pour les faire remplacer. Si l'utilisateur opérateur de l'appareil ne maîtrise pas bien l'anglais, les instructions relatives au produit et aux mesures de sécurité devront être lues et discutées avec l'opérateur dans sa langue maternelle par l'acheteur-propriétaire ou toute personne habilitée par lui à le faire, en s'assurant que l'opérateur comprend bien le contenu.

CE GUIDE D'UTILISATION RENFERME D'IMPORTANTES CONSIGNES DE SÉCURITÉ.

LISEZ CE GUIDE D'UTILISATION ATTENTIVEMENT ET ASSUREZ-VOUS D'AVOIR BIEN COMPRIS TOUTES LES DIRECTIVES AVANT D'UTILISER CET OUTIL.



• Lisez et comprenez bien toutes les instructions. Le manque d'observer toutes les instructions énumérées ci-dessous, peut entraîner une décharge électrique, un feu et/ou causer de sérieuses blessures corporelles. Veuillez lire et bien comprendre toutes les instructions. Tout manquement aux instructions indiquées ci-après pourrait entraîner un choc électrique, un incendie, une explosion et/ou des blessures personnelles graves. Il est de la responsabilité du propriétaire de s'assurer que tout le personnel lise ce manuel avant d'utiliser l'appareil. Il revient aussi au propriétaire de l'appareil de conserver ce manuel en bon état et dans un endroit accessible permettant au manuel d'être vu et lu par tous. Si le manuel ou les étiquettes du produit sont perdus ou illisibles, contactez SUNEX Tools pour les faire remplacer. Si l'utilisateur-opérateur de l'appareil ne maîtrise pas bien l'anglais, les instructions relatives au produit et aux mesures de sécurité devront être lues et discutées avec l'opérateur dans sa langue maternelle par l'acheteur-propriétaire ou toute personne habilitée par lui à le faire, en s'assurant que l'opérateur en comprend bien le contenu.

• Veuillez toujours utiliser, inspecter et entretenir cet outil conformément au code de sécurité ANSI sur les outils pneumatiques portatifs (ANSI B186.1) et à tout autre loi ou règlement relatif à la sécurité.

• Pour assurer un fonctionnement sécuritaire, un rendement optimal et la durabilité des pièces, utilisez une pression d'air maximale de 90 lb/po², 6,2 bar et un boyau d'un diamètre de 3/8 po.

• Toujours porter des lunettes de sécurité et un appareil respiratoire (utilisateurs et spectateurs).

• Les niveaux sonores élevés peuvent provoquer une perte auditive permanente. Portez toujours l'équipement de protection auditive recommandé par votre employeur et les règlements de l'OSHA quand vous utilisez cet outil (utilisateur et personnes à proximité).

• Conservez cet outil en bon état de marche.

• Les personnes qui utilisent ou entretiennent cet outil être capables de le manipuler compte tenu de sa grosseur, de son poids et de sa puissance.

• L'air comprimé peut causer de graves blessures. Ne dirigez jamais l'air vers vous ou une autre personne. Coupez toujours l'arrivée d'air, le tuyau de pression d'air et détachez l'outil de l'arrivée d'air avant d'installer, de retirer ou de régler tout accessoire de cet outil ou avant de l'entretenir. Si vous ne le faites pas, vous risquez des blessures graves. Le frottement des tuyaux peut causer de graves blessures. Vérifiez toujours que les tuyaux et les raccords ne sont pas endommagés, effilochés ou desserrés et remplacez immédiatement. N'utilisez pas de raccords rapides avec l'outil. Consultez les instructions pour corriger le montage.

• Garder l'outil hors de la portée des enfants.

• Les outils pneumatiques peuvent vibrer pendant l'utilisation. Las vibraciones, movimientos repetitivos o posiciones incómodas durante períodos extendidos de tiempo pueden ser dañinos para sus manos y brazos. Suspenda el uso de la herramienta si experimente molestias, estremecimiento o dolor. Antes de continuar usándola, solicite el consejo médico.

• Une glissade, un trébuchage et/ou une chute lors de l'utilisation d'outils pneumatiques peut causer de sérieuses blessures ou la mort. Prenez garde aux boyaux qui traînent par terre dans l'aire de travail.

• Votre posture doit être stable. Évitez de travailler à bout de bras.

• Ne pas pointer l'outil vers une personne ni l'utiliser à mauvais escient.

• Calculez vos mouvements et prenez garde aux changements brusques de position quand vous utilisez un outil électrique.

• Ne tenez pas l'outil par le boyau d'alimentation. Protégez le

boyau des objets tranchants et de la chaleur.



• L'arbre de l'outil peut continuer de tourner brièvement une fois la gâchette relâchée. Évitez tout contact direct avec les accessoires pendant ou après l'utilisation. Le port de gants réduit les risques de coupures ou de brûlures.

• Veillez à maintenir éloignée de vous l'extrémité en mouvement de l'outil. Ne portez pas de bijoux ni de vêtements amples. Les cheveux longs doivent demeurer hors de portée de l'outil et de ses accessoires pour éviter tout scalp accidentel. Tenez les cravates et les colliers hors de portée de l'outil, car ils présentent un risque de suffocation.

• Ne pas utiliser (ou modifier) l'outil à d'autres fins que celles pour lesquelles elle a été conçue sans consulter le représentant autorisé du fabricant.

• **Ne jamais monter une meule, un outil à tronçonner, une fraise à toupiller ou un foret sur une meuleuse à rectifier.**

• **Ne jamais faire usage d'un arbre, d'un mandrin ou d'un autre adaptateur afin d'utiliser la meuleuse à rectifier pour une autre application.**

• **Ne tentez pas de maintenir le levier de sécurité dans la position « on » en le verrouillant ou en l'attachant avec du ruban adhésif ou du fil métallique, car il doit pouvoir retourner automatiquement sur « off » lorsqu'il est relâché.**

• Les meules abrasives agglomérées sur tige, les limeuses fraiseuses rotatives et les fraises au carbure peuvent être utilisées en autant que leur indice de vitesse soit plus élevé que celui du Grinder. La grandeur de la tige de l'accessoire doit correspondre à celle du collet inséré dans le Grinder. Insérez la tige de la meule sur tige aussi loin que possible dans le collet et resserrez l'écrou en utilisant les clés fournies. La longueur minimale d'insertion de la tige doit être de 10 mm.

• Il est essentiel de monter correctement les meules sur tige en abrasif aggloméré, les limes rotatives et les fraises en carbure pour prévenir les blessures causées par des accessoires qui se brisent. Ne pas utiliser de meule sur tige en abrasif aggloméré, de limes rotative ni de fraises en carbure ébréchées ou fissurées. Bien serrer le mandrin qui retient les meules sur tige en abrasif aggloméré, les limes rotatives et les fraises en carbure pour éviter qu'elles ne sortent du mandrin lorsque la meuleuse à rectifier est arrêtée.

• Après avoir inséré une nouvelle meule, mettez le Grinder sous l'établi en marche et laissez-le fonctionner quelques secondes. Si le Grinder commence à vibrer après y avoir inséré une meule sur tige ou pendant qu'il fonctionne, éteignez-le immédiatement. Si le Grinder tombe à terre, remplacez la meule, la fraise limeuse rotative ou la fraise a carbure.

• **Le R/MIN de l'accessoire doit excéder celui de l'outil. Utiliser seulement des accessoires dont la vitesse nominale indiquée est d'au moins 20 000 tr/min.**

• Utilisez les accessoires recommandés par SUNEX Tools.

• Ne pas lubrifier les outils avec des liquides inflammables ou volatils comme le kérosène, le diesel ou le carburant d'avion.

• Cet outil n'est pas isolé du point de vue des chocs électriques.

• Ne pas utiliser cet outil dans une atmosphère explosive.

• L'entretien et les réparations ne devraient être effectués que dans un centre de service autorisé.

• Évitez de forcer l'outil en l'utilisant au-delà de sa puissance nominale.

• N'enlevez aucune étiquette. Remplacez toute étiquette abîmée.

• Le manquement d'observer ces inscriptions peut avoir comme conséquence des blessures sérieuses ou mortelles et/ou des dégâts matériels.

AVERTISSEMENT: Ce produit peut vous exposer à des produits chimiques y compris le nickel, reconnu par l'État de la Californie comme causant le cancer et des anomalies congénitales ou d'autres effets nuisibles sur la reproduction. Pour de plus amples informations, aller à www.P65Warnings.ca.gov.



MODE D'EMPLOI

Toujours couper l'arrivée d'air comprimé et débrancher l'outil avant d'enlever ou de mettre en place une pièce ou un accessoire quelconque, ou avant d'effectuer une tâche d'entretien quelconque.

Les meules abrasives agglomérées sur tige, les limeuses fraiseuses rotatives et les fraises au carbure peuvent être utilisées en autant que leur indice de vitesse soit plus élevé que celui du Grinder. La grandeur de la tige de l'accessoire doit correspondre à celle du collet inséré dans le Grinder. Insérez la tige de la meule sur tige aussi loin que possible dans le collet et resserrez l'écrou en utilisant les clés fournies. La longueur minimale d'insertion de la tige doit être de 10 mm.

Il est essentiel de monter correctement les meules sur tige en abrasif aggloméré, les limes rotatives et les fraises en carbure pour prévenir les blessures causées par des accessoires qui se brisent. Ne pas utiliser de meules sur tige en abrasif aggloméré, de limes rotative ni

de fraises en carbure ébréchées ou fissurées. Bien serrer le mandrin qui retient les meules sur tige en abrasif aggloméré, les limes rotatives et les fraises en carbure pour éviter qu'elles ne sortent du mandrin lorsque la meuleuse à rectifier est arrêtée.

Après avoir inséré une nouvelle meule, mettez le Grinder sous l'établi en marche et laissez-le fonctionner quelques secondes. Si le Grinder commence à vibrer après y avoir inséré une meule sur tige ou pendant qu'il fonctionne, éteignez-le immédiatement. Si le Grinder tombe à terre, remplacez la meule, la fraise limeuse rotative ou la fraise au carbure.

Faites attention, lorsque vous utilisez le Grinder, de ne pas utiliser de force excessive ce qui pourrait être dangereux et causer le bris ou une courbure de la tige.

REMARQUE : Lors de l'utilisation, toujours porter des lunettes de sécurité pour protéger les yeux contre les débris (utilisateur et personnes à proximité).

ENTRÉE D'AIR

Cet outil peut fonctionner à l'intérieur d'une large plage de pression d'air. Il est recommandé que la pression soit de 90 psi lorsque la détente est totalement enfoncée et qu'aucune charge n'est imposée à l'outil. Une pression supérieure (plus de 90 psi; 6,2 bar) augmente la performance au-delà de la capacité nominale de l'outil, raccourcissant cependant ainsi la durée de vie de l'outil et pouvant donner lieu à des blessures.

Utilisez toujours de l'air comprimé propre et sec. La présence de poussière, de vapeurs corrosives et/ou d'eau dans la conduite d'air peut endommager l'outil. Vidanger l'eau des conduites d'air et du compresseur avant d'utiliser l'outil. Nettoyer le filtre de l'entrée d'air chaque semaine. La procédure de branchement recommandée peut être vue dans la FIG. 1.

La source d'alimentation en air est raccordée à une entrée d'air ayant un normalisé NPT de 1/4 po. Il faut augmenter la pression dans la conduite d'air dans le cas de boyaux à air exceptionnellement longs (plus de 25 pieds). Le diamètre intérieur minimal du boyau doit être de 3/8 po. Les raccords doivent avoir le même diamètre intérieur et être serrés solidement.

Assurez-vous de faire installer dans la ligne d'alimentation d'air une vanne d'arrêt d'urgence accessible et que tous les utilisateurs sachent où elle se trouve.

DÉPANNAGE

Des facteurs extérieurs à l'outil peuvent causer des baisses de puissance ou d'autres problèmes. Un débit réduit du compresseur, un drainage excessif du conduit d'air de l'humidité ou des limitations dans le boyau d'air ou l'utilisation de raccords de dimensions inadéquates ou en mauvaise condition peuvent réduire l'alimentation d'air. Des résidus d'abrasif ou des dépôts accumulés dans l'outil peuvent diminuer la puissance, ceci peut être corrigé en nettoyant le filtre à air et en nettoyant l'outil avec du solvant à l'huile pour dépôts, ou avec un mélange en parts égales d'huile SAE #10 et du kérosène. Si toutes les conditions extérieures sont excellentes, débrancher l'outil du boyau et apportez-le à l'atelier de service agréé le plus près.

LUBRIFICATION ET D'ENTRETIEN

Lubrifier le moteur pneumatique chaque jour avec de l'huile à outil pneumatique de qualité. Si aucun huileur pour conduite d'air n'est utilisé, injecter 1/2 oz d'huile dans l'outil. L'huile peut être injectée dans l'entrée d'air de l'outil ou dans le boyau par l'entremise du raccord le plus près de la source d'alimentation en air. Faire ensuite fonctionner l'outil. L'huile anti-rouille convient aux outils pneumatiques. Un trop-plein réduit la puissance de l'outil.

AVERTISSEMENT : Une fois l'outil pneumatique lubrifié, de l'huile s'écoulera de l'orifice d'échappement pendant les premières secondes de fonctionnement. L'orifice d'échappement doit être recouvert d'un chiffon avant de mettre en marche l'outil pour prévenir les blessures graves.

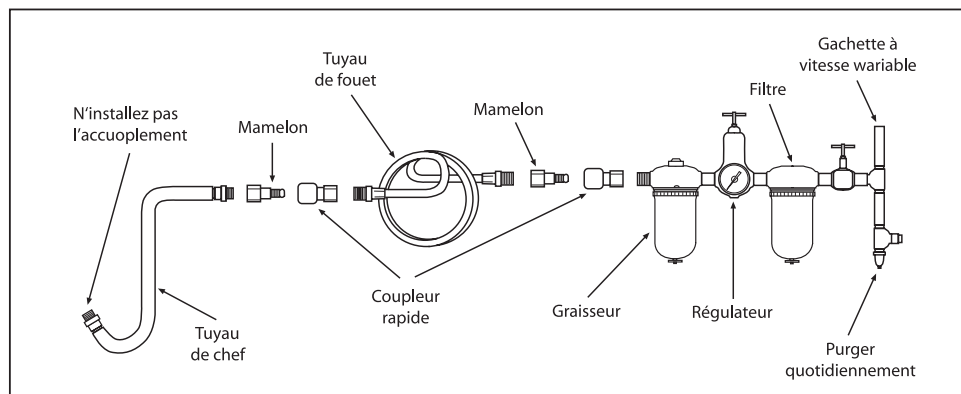


FIG. 1

Garantie limitée...

SUNEX INTERNATIONAL, INC. GARANTIT À SES CLIENTS QUE LES OUTILS DE MARQUE SUNEX TOOLS SONT EXEMPTS DE DÉFAUTS DE MAIN D'ŒUVRE ET DE MATÉRIAU

SUNEX International, Inc. réparera ou remplacera ses outils de marque SUNEX Tools® qui ne donnent pas un service satisfaisant à cause d'un défaut de main d'œuvre ou de matériau, selon les termes et conditions décrits ci-dessous dans les plans de garantie correspondant à ce produit spécifique. Ce produit a une garantie de UN AN. Pendant la période de garantie, SUNEX Tools® réparera ou remplacera, à sa seule discrétion, toute pièce ou tout appareil dont il a été déterminé qu'il comporte un défaut de matériau ou de main d'œuvre.

Autres informations importantes sur la garantie...

Cette garantie ne couvre pas les dommages à de l'équipement ou à des outils modifiés, sujets à des abus ou à une utilisation incorrecte, ou encore endommagés; elle ne couvre pas les réparations ou le remplacement effectué par quiconque autre que SUNEX Tools® ou ses centres de services de garantie autorisés. L'obligation qui précède constitue la seule responsabilité de SUNEX Tools® en vertu de cette garantie ou de toute garantie implicite; et en aucun cas SUNEX Tools® ne pourra être responsable pour des dommages indirects ou consécutifs. Remarque : Certaines juridictions ne permettent pas l'exclusion ou la limitation des dommages indirects ou consécutifs; la limitation ou l'exclusion ci-dessus pourrait donc ne pas s'appliquer à votre cas. Retourner l'équipement ou les pièces à SUNEX Tools®, ou à un centre de service de garantie autorisé, port prépayé. S'assurer d'inclure votre nom, votre adresse, une preuve de la date d'achat et la description de la défaillance présumée. Veuillez adresser par écrit toutes vos questions sur le service de garantie à SUNEX Tools®. Cette garantie donne à l'acheteur des droits juridiques spécifiques ainsi que certains autres droits qui peuvent varier selon la juridiction. Après échéance de la garantie de remplacement direct d'un an, certaines pièces de service seront disponibles à l'achat par l'entremise des options de services normaux de SUNEX Tools®.

ADRESSE D'EXPÉDITION: SUNEX Tools • 315 Hawkins Rd. • Travelers Rest, SC 29690

ADRESSE POSTALE: SUNEX Tools • P.O. Box 1233 • Travelers Rest, SC 29690